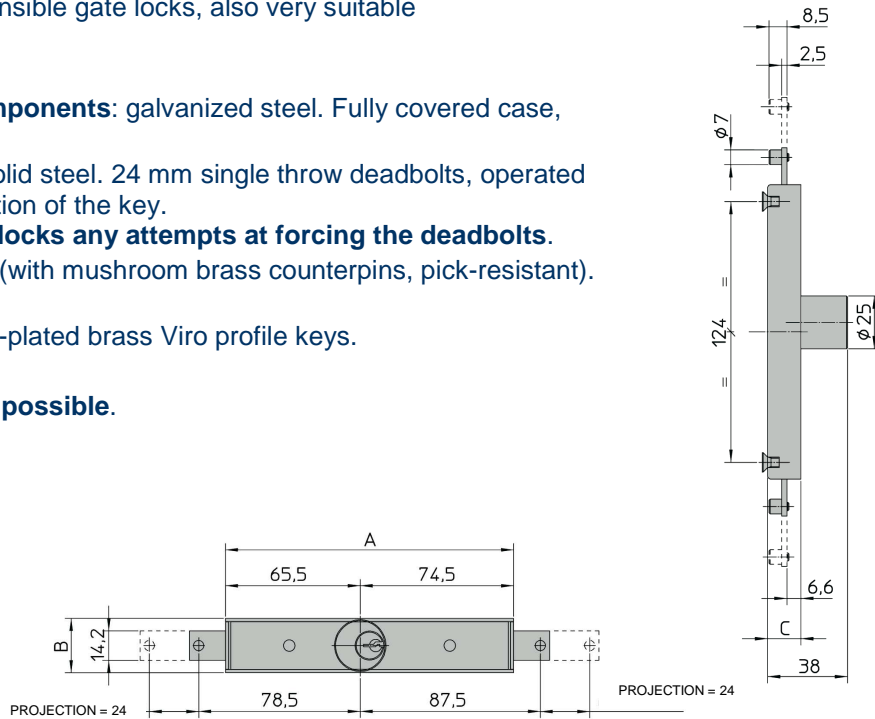


## ITEM 1.8301 GALVANIZED FINISH – RIVETED PINS – MADE IN ITALY

Easy installation, ideal for extensible gate locks, also very suitable for showcases

- **Structure and internal components:** galvanized steel. Fully covered case, cover screwed on the back.
- **Deadbolts:** 2,5 mm. thick solid steel. 24 mm single throw deadbolts, operated by one single complete rotation of the key.  
**The internal mechanism blocks any attempts at forcing the deadbolts.**
- **Solid satin brass cylinder** (with mushroom brass counterpins, pick-resistant).  
**Cylinder diameter 25 mm**
- **Keys:** supplied with 3 nickel-plated brass Viro profile keys.
- **Supplied with:** riveted pins.
- **All special executions are possible.**

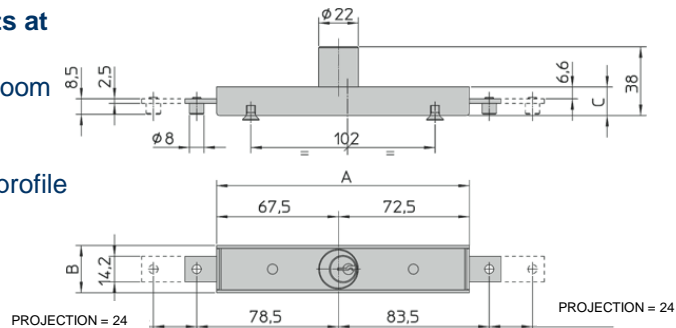


ITEM No.	Dimensions mm A x B	Case height mm C	Cylinder Item No.	Unit weight g	Pcs. per pack No.
1.8301	140 x 26,2	15,8	2.736	350	1

## ITEM 8300 GALVANIZED FINISH – RIVETED PINS – MADE IN ITALY

Interchangeable with locks available on the market

- **Structure and internal components:** galvanized steel. Fully covered case, cover screwed on the back.
- **Deadbolts:** solid steel 2,5 mm thick. 24 mm single throw deadbolts, operated by one single complete rotation of the key.  
**The internal mechanism blocks any attempts at forcing the deadbolts.**
- **Cylinder:** solid nickel-plated brass (with mushroom brass counterpins, pick-resistant).  
**Cylinder diameter 22 mm.**
- **Keys:** supplied with 3 nickel-plated brass Viro profile keys.
- **Supplied with:** riveted pins.
- **All special executions are possible.**



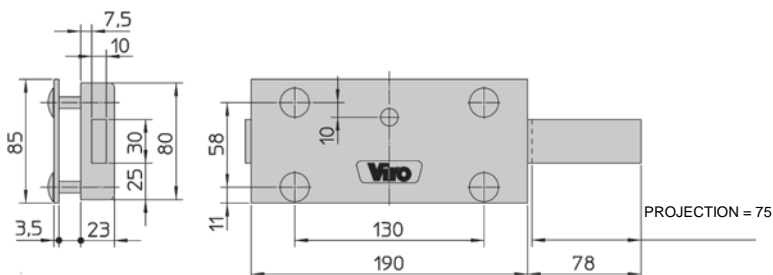
ITEM No.	Dimensions mm A x B	Case height mm C	Cylinder Item No.	Unit weight g	Pcs. per pack No.
8300	140 x 26,2	15,8	1.736	320	1

## ITEM 4204

- **Structure and internal components:** galvanized steel.
- **Double-handed lock** can also be activated from the inside. Specifically for metal doors max. 15 mm thick.
- **Steel deadbolt** 10 mm thick, 75 mm projection, frictioned to ensure correct working also for vertical installation.
- **Solid brass cylinder** with 6 pins arranged in 3 rows, with external protection by a case-hardened tempered, copper and nickel plated steel.
- **Cross keys:** supplied with 3 nickel-plated brass cross keys with octagonal head.



ITEM No.	Keys Item No.	Unit weight g	Pcs. per pack No.
4204	047	1945	1

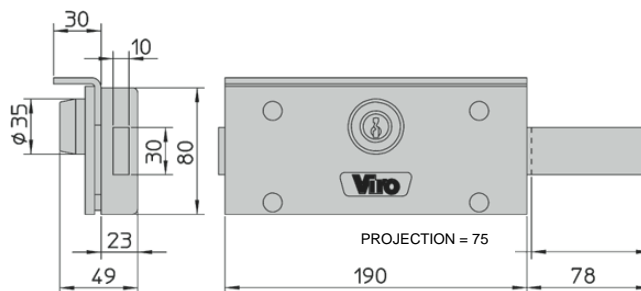


## ITEM 4201

- **Structure and internal components:** galvanized steel.
- **Double-handed lock** can also be activated from the inside. Specifically for metal doors and also recommended for roller shutters operated with the same key.
- **Steel deadbolt** 10 mm thick, 75 mm projection, frictioned to ensure correct working also for vertical installation.
- **High security solid armoured brass 7 pin cylinder with case-hardened, tempered, copper and nickel plated steel.** Mushroom brass counterpins, pick-resistant.
- **Top Security Viro keys:** supplied with 4 nickel-plated brass top security Viro keys.
- **Supplied with:** galvanized steel roof-plate.
- All special executions are possible for the cylinder.



ITEM No.	Keys Item No.	Unit weight g	Pcs. per pack No.
4201	037	2670	1
4201/4201	037	5340	1



### ON REQUEST :

#### - LOCK PAIR ITEM 4201/4201

It is recommended for the roller shutters.  
The two locks work with the same key

#### - SPARE CYLINDER ITEM 4735