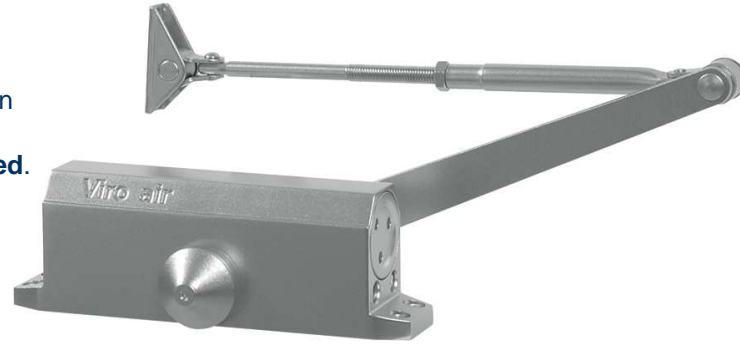
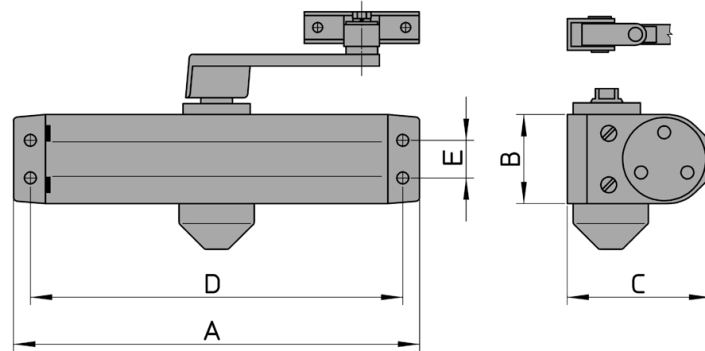


## OVERHEAD RACK AND PINION "Viro air" RANGE

- **Universal installation** for wooden or metal doors both right and left-hand. Can be installed
  - √ either on the door (standard installation).
  - √ or on the door jamb (reverse installation).
- **Hydraulic working:** does not require periodic oil change. **No maintenance required.**
- **Body:** one piece painted pressure-cast aluminum.
- **Steel arm that allows a stroke of approximately 80 mm.** (from - 10 mm. to + 70 mm.)
- **Adjustable hold open: by means of an internal device.** The door can be manually blocked in any position between 90° and the maximum opening angle.
- **Regulating valves for closing speed and latching speed.** The valves can be easily reached from the outside, without removing the doorclosers.
- **Overload relief internal valve.**
- **Fixed strength versions:** .02 .03



- **Supplied with :**
  - √ 2 installation templates for standard or top jamb application, for right and lefthand doors.
  - √ bag of screws (metric-thread screws for metal doors or self-tapping screws for wooden doors).
- Colors on request (special execution) (minimum 100 pcs):
  - √ Black (.211) – White (.543).
  - √ Gold (.541) – Brown (.546).



### .212 STANDARD COLOUR: GREY

ITEM No.	Case Dimensions mm. A x B x C	Fixing holes		Unit Weight g	Strenght Size	Version	FOOR DOORS	
		Horiz. D mm.	Vert. E mm.				Max width. cm.	Max weight Kg.
117.02.1	182 x 41 x 60,5	166	x 19	1500	2 - Fixed	Non hold open	85	45
117.03.1					3 - Fixed		95	65
117.02.2					2 - Fixed	With internal hold open	85	45
117.03.2					3 - Fixed		95	65

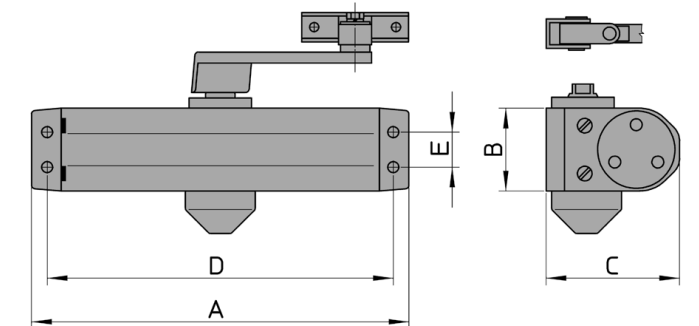
Add the colour code (.212=grey) after the item code.  
E.g. 117.02.1.212= "Viro air" doorcloser, strength 2, non hold open, grey.

## OVERHEAD RACK AND PINION "Viro zip" RANGE

- **Universal installation** for wooden or metal doors both right and left-hand. Can be installed
  - √ either on the door (standard installation).
  - √ or on the door jamb (reverse installation).
- **Hydraulic working:** does not require periodic oil change. **No maintenance required.**
- **Body:** one piece painted pressure-cast aluminum.
- **Steel arm that allows a stroke of approximately 80 mm.** (from - 10 mm. to + 70 mm.)
- **Adjustable hold open: by means of an internal device.**
- The door can be manually blocked in any position between 90° and the maximum opening angle.
- **Regulating valves for closing speed and latching speed.**
- The valves can be easily reached from the outside, without removing the doorcloser.
- **Overload relief internal valve.**
- **Fixed strength versions:** .02 .03 .04



- **Supplied with :**
  - √ 2 installation templates for standard or top jamb application, for right and lefthand doors.
  - √ bag of screws (metric-thread screws for metal doors or self-tapping screws for wooden doors).



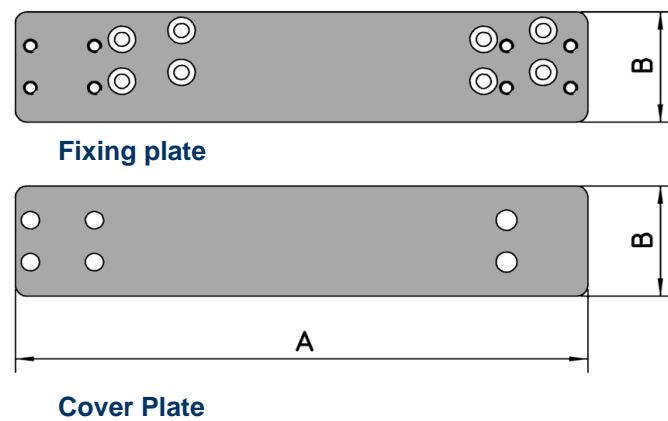
### .212 STANDARD COLOR: GREY

ITEM No.	Case Dimensions mm. A x B x C	Fixing Holes		Unit Weight g	Strenght Size	Version	FOR DOORS	
		Horiz. D mm.	Vert. E mm.				Max. width cm.	Max.Weight Kg.
116.02.1	144 x 36,5 x 56	132	19	1180	2 - Fixed	non hold open	85	45
116.03.1	178 x 40 x 60	162	19	1380	3 - Fixed		95	65
116.04.1	184 x 41,5 x 67	168	24	1680	4 - Fixed		110	85
116.02.2	144 x 36,5 x 56	132	19	1180	2 - Fixed	with internal hold open	85	45
116.03.2	178 x 40 x 60	162	19	1380	3 - Fixed		95	65
116.04.2	184 x 41,5 x 67	168	24	1680	4 - Fixed		110	85

## ADJUSTMENT KIT AVAILBLE FOR "Viro" RANGE ONLY

Necessary when replacing the most common doorcloser on the market with the Viro doorcloser (127 series) without having to change pre-existing holes.

- There are 3 different types of kit, each one available both in black and grey color.
- The number of components inside the kit has been expressly determined after a research regarding most common doorcloser strength sizes and colors on the market; this would grant the maximum stock optimization.
- Consist of:
  - 4 mm thick steel fixing plate;
  - 1 mm thick steel cover plate;
  - 4 screws for securing the Viro doorcloser to the fixing plate;
  - installation instructions and templates.

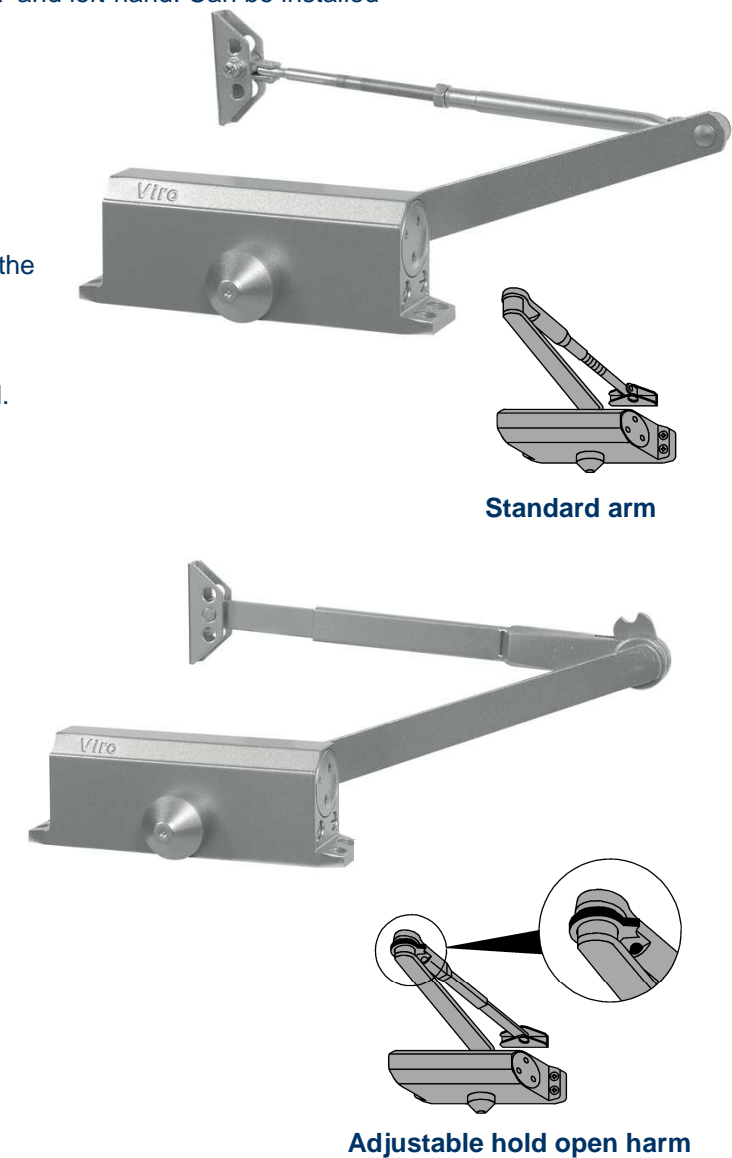


ITEM No.	Color	Dimensions mm. A x B	For Doorcloser strength size	Unit Weight g	Pcs Per pack No.
127.0469.2.211	Black	235 x 50	2 - Fixed or Adj. strenght	435	4
127.0469.2.212	Grey				6
127.0469.3.211	Black	250 x 50	3 - Fixed or Adj. strenght	470	3
127.0469.3.212	Grey				

56030130105015 - 06/2011

## OVERHEAD RACK AND PINION "Viro" RANGE

- **Universal installation** for wooden or metal doors both right and left-hand. Can be installed
  - ✓ either on the door (standard installation).
  - ✓ or on the door jamb (reverse installation).
- **Hydraulic working:** does not require periodic oil change. **No maintenance required.**
- **Body:** one piece painted pressure-cast aluminum.
- **Steel arm that allows a stroke of approximately 80 mm. (from - 10 mm. to + 70 mm.)**
- **Adjustable hold open**, by means of an external device on the arm (except standard arm).  
The door can be manually blocked in any position between 90° and the maximum opening angle.
- **Regulating valves for closing speed and latching speed.**  
The valves can be easily reached from the outside, without removing the doorclosers.
- **Overload relief internal valve**
- **Fixed strength versions:** .02 .03
- **Adjustable strength versions:** .13
- **On request: ADJUSTMENT KIT see page 4.**



- **Supplied with:**
  - ✓ 2 installation templates for standard or top installation, for right-hand or left-hand doors.
  - ✓ bag of screws (metric-thread screws for metal doors or self-tapping screws for wooden doors).

Add the required colour code (.212=grey or .211=black) after the item code.  
e.g. 127.13.2.211= Viro adjustable strength doorcloser, adjustable hold open arm, black.

**.211 standard colour: black - .212 standard colour: grey**

ITEM No.	Case Dimensions mm. A x B x C	Fixing holes (distances)		Unit Weight g	Strenght Size	Version	FOR DOORS	
		Horiz.. D mm.	Vert. E mm.				Max width cm	Max weight Kg
127.02.1	203 x 44,5 x 68	187	19	2130	2 - Fixed	non hold open	85	45
127.03.1	224 x 44,5 x 68	208	19	2430	3 - Fixed		95	65
127.02.2	203 x 44,5 x 68	187	19	2330	2 - Fixed	With adjustable hold open arm	85	45
127.03.2	224 x 44,5 x 68	208	19	2630	3 - Fixed		95	65
127.13.1	224 x 44,5 x 68	208	19	2430	2 - 3 - 4 Adjustable Strenght	non hold open	85-110	45-85
127.13.2				2630		With adjustable hold open arm		