

PANZER ARMoured PADLOCKS

- **Body:** solid forged brass one-piece padlock.
- **Main armour:** 3 mm thick (items 4116, 4117 4126), 2,5 mm. (items 4115, 4125), hardened, copper, nickel, tempered and chrome plated steel.
Side armours: 1,5 mm thick (items 4116, 4117, 4126), 1 mm. (items 4115, 4125), hardened steel side armours, tempered, copper, nickel and chrome plated.
- **Safety-plug:** with 7 pin plugs, with pull-resistant protection (items 4115-4125); with copper, nickel and chrome plated hardened steel anti-drill plate (items 4116-4117-4126).
- **Rotating lock-bolt:** anticut case-hardened, tempered, copper, nickel and chrome plated steel, programmed breakage lock-bolt head (items 4115-4117) or with pull-resistant inserted head (items 4125-4126)
- **Mechanism:** ball type locking (with 7 pins) key retaining (items 4115, 4116, 4117):
 - ✓ brass pins;
 - ✓ mushroom brass counterpins, pick-resistant;
 - ✓ inox stainless steel pin and latch springs (item 4115-4117);
 - ✓ phosphor bronze pin springs and inox stainless steel latch springs (items 4125-4126).
- **Keys:** supplied with 3 Viro Top Security profile nickel plated brass keys.
 - Versions available with patented profile keys (form trademark) which can only be duplicated by Viro (.PB profile) or versions which can be duplicated only by Viro Authorized Centers (.PV profile).
- **Packaging:** single box “visual pack”.
- On request special visual packs and patented profile keys, which can only be duplicated by Viro.
- **All special executions are possible.**



INDEPENDENT LOCK-BOLTS

PANZER PADLOCKS

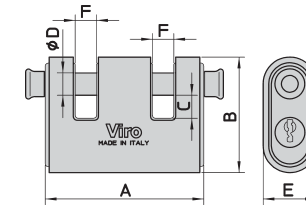
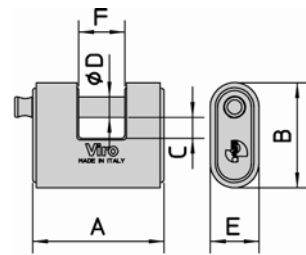
ITEM No.	Body dimensions mm A x B x E	Horizontal and vertical clearance or chain mm F x C	Lock-bolt diameter mm D	Keys Item No.	Unit weight g	Pcs. per pack No.
4115	62 x 51 x 23	20 x 10	10	039	390	1
4116	77 x 62 x 29	27 x 12	12	039	690	1
4117	86 x 72 x 29	36 x 20	12	039	790	1

■ For versions with patented profile keys the item code should be followed by: .PB or .PV

INDEPENDENT LOCK-BOLTS: Items 4125-4126 are the only existing padlocks provided with 2 independent lock-bolts. They fit chains perfectly both from technical and aesthetic point of view. They are recommended for all purposes where 2 sides, one fixed and one movable, must be locked.

ITEM No.	Body dimensions mm A x B x E	Horizontal and vertical clearance or chain mm F x C	Lock-bolt diameter mm D	Keys Item No.	Unit weight g	Pcs. per pack No.
4125	78 x 51 x 23	10 x 10	10	039	595	1
4126	86 x 62 x 29	11,5 x 12	12	039	875	1

■ For versions with patented profile keys the item code should be followed by: .PB or .PV



58030190205015-05/2012

RECTANGULAR PADLOCKS

- **Body:** solid satin brass, with rounded anti-abrasion edges.
- **Shackle:** case hardened and tempered steel for high resistance to attack (except items 298-299-308); copper, nickel and chrome plated for high corrosion resistance.
- **Latches:** 2 spring loaded brass latches (except items 298-299-308).
- **Spring loaded locking mechanism with key removable in locked and unlocked position:**
 - ✓ brass pins, pick-resistant mushroom brass counterpins;
 - ✓ phosphor bronze pin springs;
 - ✓ D class inox stainless steel latch springs;
 - ✓ D class inox stainless steel shackle spring.
- **Keys:** supplied with 2 nickel plated brass keys Viro profile.
 - Versions available with patented profile keys (form trademark) which can only be duplicated by Viro (.PB profile) or versions which can be duplicated only by Viro Authorized Centers (.PV profile).
- **Packaging:** single box “visual pack”.
- On request: special visual pack.
- **All special executions are possible.**
- Keying kits can be supplied.

RECTANGULAR PADLOCKS

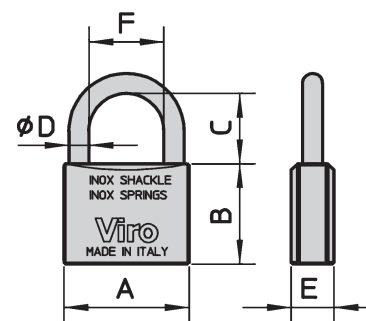
ITEM No.	Body dimensions mm A x B x E	Shackle clearance mm C - F	Shackle diameter mm D	Keys Item No.	Unit weight g	Pcs. per pack No.
298	20 x 20 x 10	11,5 - 9,5	3,5	010	40	12
299	25 x 25 x 12	14 - 13,5	4	010	63	12
301	30 x 27 x 13	15 - 15,7	5	011	97	12
■302	40 x 32 x 15	20 - 23	6	013	165	12
■303	50 x 40 x 17	28 - 30	8	015	290	6
■304	60 x 46 x 20	35 - 35	10	015	460	6
■305	70 x 51 x 23	42 - 38	12	015	695	6

■ For versions with patented profile keys the item code should be followed by: .PB or .PV

LONG SHACKLES Sometimes you do not need a bigger padlock, but just a longer shackle.

ITEM No.	Body dimensions mm A x B x E	Shackle clearance mm C - F	Shackle diameter mm D	Keys Item No.	Unit weight g	Pcs. per pack No.
308	20 x 19 x 11	22 - 11	3,5	010	43	12
311	30 x 27 x 13	30 - 15,7	5	011	105	12
311.40	30 x 27 x 13	40 - 15,7	5	011	110	12
311.64	30 x 27 x 13	64 - 15,7	5	011	115	12
■ 312	40 x 32 x 15	40 - 23	6	013	170	12
■ # 312.64	40 x 32 x 15	64 - 23	6	013	190	12
■ # 312.90	40 x 32 x 15	90 - 23	6	013	200	12
■ # 313	50 x 40 x 17	48 - 30	8	015	315	6
■ # 313.64	50 x 40 x 17	64 - 30	8	015	325	6
■ # 313.90	50 x 40 x 17	90 - 30	8	015	345	6
■ # 314.64	60 x 46 x 20	64 - 35	10	015	500	6
■ # 314.90	60 x 46 x 20	90 - 35	10	015	540	6
■ # 315.90	70 x 51 x 23	90 - 38	12	015	765	6

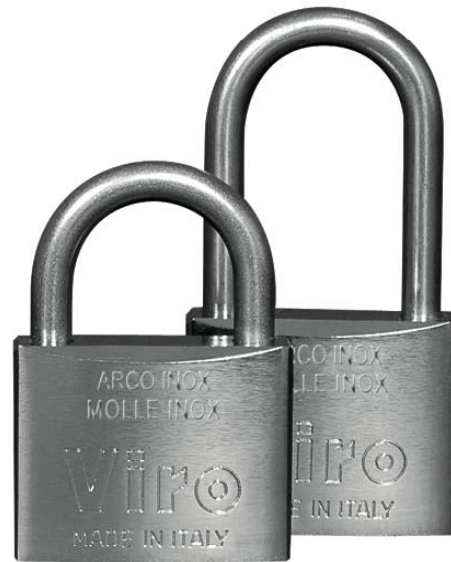
Items that can be ordered with .PV or .PB patented profiles on request.



“MARINE” PADLOCKS

Where humidity, salinity of the sea or acidity of the rain make other padlocks difficult to use, these padlocks provide higher resistance to severe weather conditions, thanks to the superior quality of the materials and special treatments, making them essential.

- **Body:** nickel and chrome plated solid satin brass for maximum corrosion resistance. Rounded anti-abrasion edges.
 - ✓ highest quality chemical treatments of considerable thickness
 - ✓ internal boring and discharge hole created to avoid moisture stagnation: further humidity comes out from the padlock without leaving any trace which could damage the correct functioning of the padlock
- **Shackle:** inox stainless steel for high corrosion resistance.
- **Latches:** 2 spring loaded brass latches.
- **Spring loaded locking mechanism with key removable in locked and unlocked position:**
 - ✓ brass pins, pick-resistant mushroom brass counterpins;
 - ✓ phosphor bronze pin springs;
 - ✓ inox stainless steel latch springs;
 - ✓ inox stainless steel shackle spring, corrosion resistant.
- **Keys:** supplied with 2 nickel plated brass keys Viro profile.
 - Versions available with patented profile keys (form trademark) which can only be duplicated by Viro (.PB profile) or versions which can be duplicated only by Viro Authorized Centers (.PV profile).
- **Packaging:** single box “visual pack”.
- On request special visual packs.
- **All special executions are possible.**



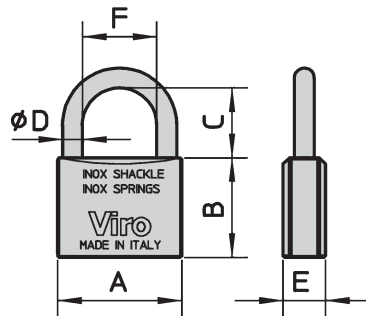
“MARINE” PADLOCKS

ITEM No.	Body dimensions mm A x B x E	Shackle clearance mm C - F	Shackle diameter mm D	Keys Item No.	Unit weight g	Pcs. per pack No.
371	30 x 27 x 13	15 - 15,7	5	011	110	4
■ 373	40 x 32 x 15	20 - 23	6	013	170	4

LONG SHACKLE “MARINE” PADLOCKS Sometimes you do not need a bigger padlock, but just a longer shackle.

ITEM No.	Body dimensions mm A x B x E	Shackle clearance mm C - F	Shackle diameter mm D	Keys Item No.	Unit weight g	Pcs. per pack No.
■ # 375	40 x 32 x 15	40 - 23	6	013	180	4
■ # 377	50 x 40 x 17	55 - 30	8	015	325	4

- For versions with patented profile keys the item code should be followed by: .PB or .PV
- # Items that can be ordered with .PV or .PB patented profiles on request.



CYLINDRICAL PADLOCKS

The Viro cylindrical padlock has distinguished our company since its foundation. Its particular cylindrical body makes it secure and highly resistant, in addition to giving it a unique look. Two offset latches guarantee the reliability of the ‘100 series’ to prevent the shackle from being pulled. A Viro hologram on the padlock body (100 series) distinguishes it from any fakes.

- **Body:** solid satin brass with transparent varnish protection with rounded anti-abrasion edges and hologram to prevent imitations (100 series).
- **Shackle:** case-hardened and tempered steel for high resistance to attack, copper, nickel and chrome plated for high corrosion resistance.
- **Latches:** 2 spring loaded case-hardened, tempered and nickel-plated steel latches (200 series supplied with brass latches).
- **Locking mechanism:** key retaining (100 series) or with key removable in both locked and unlocked position (200 series):
 - ✓ brass pins;
 - ✓ mushroom brass counterpins, pick-resistant;
 - ✓ security pin, resistant to attack;
 - ✓ phosphor bronze pin springs; D class steel latch and shackle springs.
- **Keys:** supplied with 2 nickel plated brass keys Viro profile.
 - Versions available with patented profile keys (form trademark) which can only be duplicated by Viro (.PB profile) or versions which can be duplicated only by Viro Authorized Centers (.PV profile).
- **Packaging:** single box “visual pack”.
- On request special visual packs.
- **All special executions are possible.**
- Keying kits can be supplied.



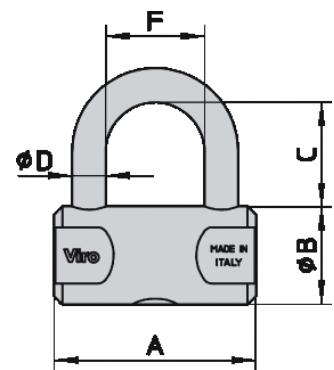
100 SERIES: Key retaining - 2offset steel latches.

ITEM No.	Body dimensions mm A x B	Shackle clearance mm C - F	Shackle diameter mm D	Keys Item No.	Unit weight g	Pcs. per pack No.
102	50 x 27	25 - 25	8	011	255	6
103	60 x 30	31 - 30	10	017	390	6
104	70 x 33	35 - 38	12	017	565	4
■ 105	80 x 36	40 - 38	14	015	785	4

200 SERIES: 2 brass latches (except for item 201).

ITEM No.	Body dimensions mm A x B x E	Shackle clearance mm C - F	Shackle diameter mm D	Keys Item No.	Unit weight g	Pcs. per pack No.
201	25 x 17	11 - 12	4	010	53	12
202	30 x 19	12 - 13,5	5	010	71	12
203	40 x 25	20 - 22	6	011	170	6

- For versions with patented profile keys the item code should be followed by: .PB or .PV



ROLLER SHUTTER PADLOCKS

Roller shutter padlocks were designed for shop security but over the years have been used for many different purposes thanks to their sober design and simple functioning.

- **Body:** solid satin brass with rounded anti-abrasion edges.
- **Rotating lock-bolt:** 12 mm.anticut case-hardened and tempered steel for high resistance to attack, copper, nickel and chrome plated; programmed breakage lock-bolt head.
- **Locking deadbolt:** resistant to attack, inox stainless steel (AISI 316).
- **Locking mechanism:** ball type, key retaining:
 - ✓ brass pins and counterpins;
 - ✓ security pin, resistant to attack;
 - ✓ phosphor bronze pin springs; inox stainless steel latch springs.
- **Keys:** supplied with 3 nickel plated brass keys Viro profile.
- **Packaging:** single box.
- Special visual packs.
- **All special executions are possible.**



ITEM No.	Body dimensions mm A x B x E	Horizontal and vertical clearance or chain mm F x C	Lock-bolt diameter mm D	Keys Item No.	Unit weight g	Pcs. per pack No.
106	75 x 55 x 20	27 x 12	12	015	590	4
107	84 x 65 x 20	36 x 18	12	015	735	4

